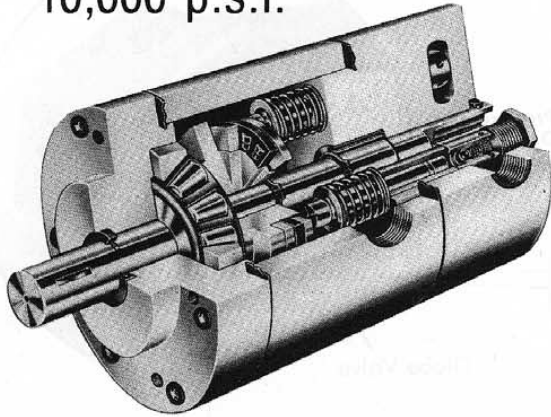




THE "QUIET ONE" TASK-FORCE PUMPS

AXIAL PISTON PUMPS, Direct Drive Up To 10,000 p.s.i.



PERFORMANCE— Seven pistons give the Rodgers axial pump smooth, balanced flow in either direction. Continuous operation at 10,000 p.s.i. makes them ideal for a wide range of industrial and construction applications.

EFFICIENCY— Close tolerances between the highly ground bronze sleeves and heat treated pistons assures maximum efficiency and durability.

THE "QUIET ONE" keeps noise pollution at a minimum. Smooth, quiet performance over the entire pressure range is accomplished through the 7-piston design.

HI/LOW DESIGN— For maximum efficiency and lowest cost in your hi/low system, Rodgers axial pumps are designed to enable "piggy-back" mounting for your low pressure pump. This eliminates the need for double-ended motors and pillow block mounting.

SERIES PF120 -- 1.8 G.P.M. — VITON

0-10,000 P.S.I. Continuous

MOTOR R.P.M.	DELIVERY G.P.M.					HORSEPOWER INPUT				
	0 P.S.I.	2,500 P.S.I.	5,000 P.S.I.	7,500 P.S.I.	10,000 P.S.I.	0 P.S.I.	2,500 P.S.I.	5,000 P.S.I.	7,500 P.S.I.	10,000 P.S.I.
1200	1.22	1.19	1.16	1.12	1.09		1.87	3.74	5.61	7.48
1800	1.83	1.78	1.73	1.68	1.64		2.81	5.62	8.42	11.23

SERIES PF300 -- 4.7 G.P.M. — VITON

0-10,000 P.S.I. Continuous

MOTOR R.P.M.	DELIVERY G.P.M.					HORSEPOWER INPUT				
	0 P.S.I.	2,500 P.S.I.	5,000 P.S.I.	7,500 P.S.I.	10,000 P.S.I.	0 P.S.I.	2,500 P.S.I.	5,000 P.S.I.	7,500 P.S.I.	10,000 P.S.I.
1200	3.17	3.09	3.00	2.92	2.84		4.87	9.74	14.6	19.47
1800	4.76	4.63	4.51	4.38	4.26		7.30	14.6	21.91	29.21

SERIES PF500 -- 7.4 G.P.M. - VITON

0-6,000 P.S.I. Continuous -- 6,000-10,000 P.S.I. Intermittent

MOTOR R.P.M.	DELIVERY G.P.M.					HORSEPOWER INPUT				
	1,000 P.S.I.	2,000 P.S.I.	3,000 P.S.I.	4,000 P.S.I.	6,000 P.S.I.	1,000 P.S.I.	2,000 P.S.I.	3,000 P.S.I.	4,000 P.S.I.	6,000 P.S.I.
1200	4.91	4.85	4.80	4.75	4.70	3.04	6.09	9.13	12.17	15.21
1800	7.36	7.28	7.20	7.12	7.05	4.56	9.13	13.69	18.26	22.82

RUGGED CONSTRUCTION— Rodgers pumps are precision engineered, machined and tested to produce hydraulic power economically and efficiently. Over forty years of proven fluid experience in 10,000 p.s.i. hydraulics is your assurance of Rodgers "Task-Force" quality.

LUBRICATION of bearing and parts is supplied by fluid being pumped. This makes proper filtration a must, and 100 mesh filtration is recommended.

PUMP SHAFT ROTATION may be clockwise or counter-clockwise except when an auxiliary pump is attached. Direction of rotation is then determined by the auxiliary pump.

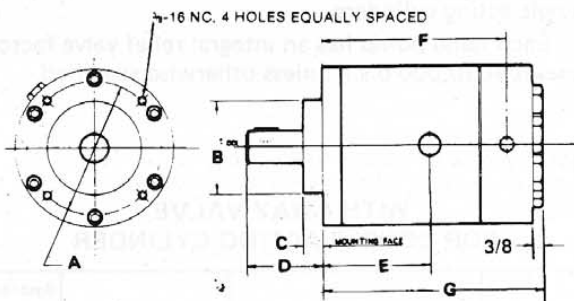
mined by the auxiliary pump.

DRIVING POWER to the pump must be applied through axial coupling. Belt or chain drive not permitted.

INLET AND OUTLET CONNECTIONS remain as shown regardless of direction of shaft rotation.

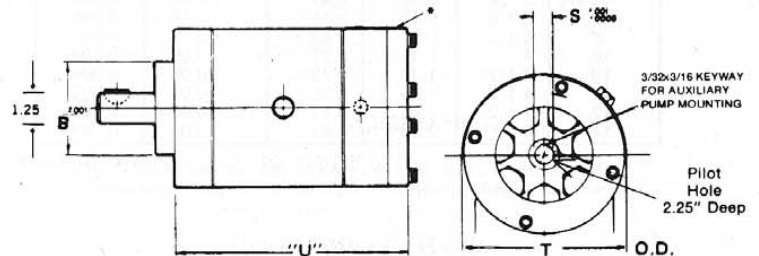
INLET CONNECTION may be rotated 180° in relation to the outlet connection from the position shown. The mounting bracket may be changed by removing bracket and relocating in any one of four positions 90° apart.

PLAIN PUMP (Without Shaft Extension)



PUMP SERIES	PUMP MODEL	A	B	C	D	E	F	G	Weight
PF120	PF120-10-P-0-S-11	5-3/8	3.873	3/4	3	4-9/16	7-7/8	9-3/8	74 lbs.
PF300	PF300-10-P-0-S-11	5-1/2	4.248	7/8	3-1/8	5-3/8	9-3/8	10-31/32	115 lbs.
PF500	PF500-6-P-0-S-11	5-1/2	4.248	7/8	3-1/8	5-3/8	9-3/8	10-31/32	115 lbs.

PUMPS WITH SHAFT EXTENSION For Use With Auxiliary Pump



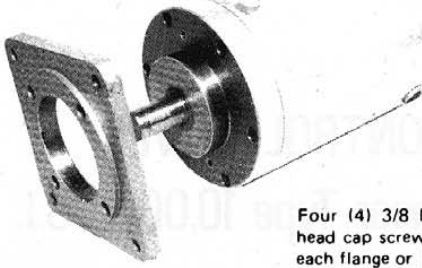
PUMP SERIES	PUMP MODEL	S	T	U	Weight
PF120	PF120-10-P-1-S-11	.750	6-1/2	*	74 lbs.
PF300	PF300-10-P-4-S-11	.750	*	*	115 lbs.
PF300	PF300-10-P-5-S-11	1.000	7-3/4	*	115 lbs.
PF500	PF500-6-P-4-S-11	.750	*	*	115 lbs.
PF500	PF500-6-P-5-S-11	1.000	*	*	115 lbs.

For Dim. "U" See Auxiliary Pump Mounting Adapter Chart on Next Page.
The Auxiliary Pump mounting adapter must be ordered separately.

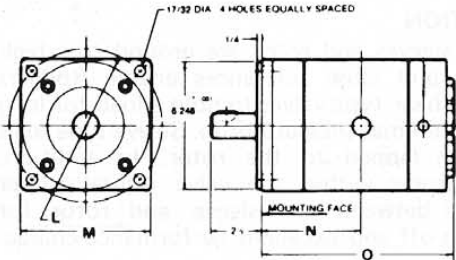


PICK YOUR MOUNTING

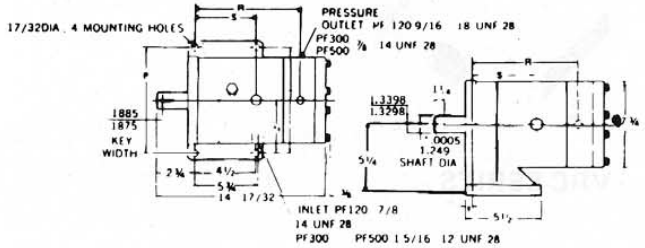
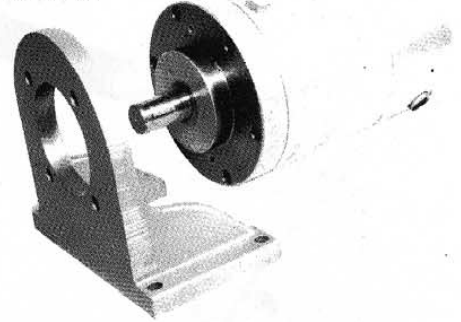
FLANGE MOUNT



Four (4) 3/8 NC x 1" socket head cap screws included with each flange or base.



BASE MOUNT



This view for pumps with shaft extension for use with auxiliary pump mount.

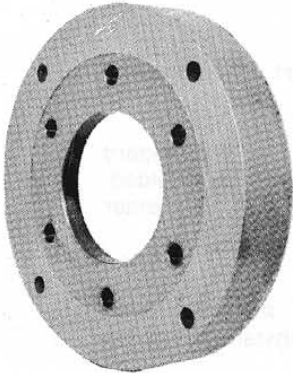
PUMP SERIES	FLANGE PART NUMBER	L	M	N	O	FLANGE WEIGHT
PF120	437001	7-1/2	6-1/2	5-1/16	9 7/8	7
PF300	437004	9	7-3/4	6	11 9/32	9
PF500	437004	9	7-3/4	6	11 9/32	9

PUMP SERIES	BASE PART NUMBER	P	R	S	BASE WEIGHT
PF120	437002	7-3/4	8-1/8	4 13/16	16 lbs
PF300	437005	9	9-3/4	5-3/4	20 lbs
PF500	437005	9	9-3/4	5-3/4	20 lbs

Rodgers has designed adapters to fit the following low pressure pumps:

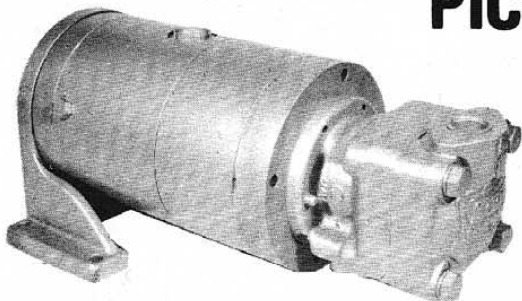
CAUTION: A 1" shaft in any combination of G.P.M. x P.S.I. will support 15 h.p., a 3/4" shaft will support 10 h.p.

AUXILIARY PUMP MOUNTING ADAPTER



Pump Model	Adapter Part Number	Dimension "U"	Mount 1- SAE	AUXILIARY PUMP MANUFACTURER				Cap Screw Length	Weight	NFPA Code No.	
				Continental	Denison	Gerotor	Hydroco				Vickers
PF120-10-P-1-S-11	437008	10 3/8	4F40	PVR6	PF04 PF-05	H-X-F		V105 V109	1 1/2"	4	101-4
	437003	10 3/8	SAE A 2-Bolt		TMB TTMB		1400 Series	V110 V210 V20	1 1/2"	4	82-2
PF300-10-P-4-S-11 or PF500-6-P-4-S-11	437010	10 29/32	4F40	PVR6	PF-04 PF05	H-X-F		V105 V109	1 1/2"	9	101-4
	437006	11 13/32	SAE A 2-Bolt		TMB TTMB		1400 Series	V110 V2-1 V210 V20	2"	9	32-2
PF300-10-P-5-S-11 or PF500-6-P-5-S-11	437009	10 29/32				H-X-H-X-F (Spec. Key)			1 1/2"	9	
	437010	10 20/32	4F40						1 1/2"	9	101-4
	437007	11 13/32						V2230 (Spec. Key) V330	2"	9	
	437026	11 13/32	SAE B-B 2-Bolt						2"	9	
	437031	11 13/32	SAE B-B 4-Bolt						2"	9	

PICK YOUR HI/LOW SYSTEM



Low pressure pumps are available from stock at Rodgers. These and other low pressure pumps can be mounted with your Rodgers axial piston pump by selecting the proper mounting adapter from the chart above.