



gfp

PF SERIES AXIAL PISTON PUMPS

Lifting The World

Direct Drive Axial Piston Pumps
with continuous output pressures
up to 10,000 PSI

7 Piston Design delivers smooth,
balanced flow

Rugged “time tested” design with
precision machined components

Quiet Performance through the
entire pressure range keeps
noise pollution to a minimum

Bi-directional rotation

Optional “piggy-back”
configuration available for Hi/Low
system requirements



GRANITE FLUID POWER

950 14th Street
PO Box 215
Granite Falls, MN 56241
www.gfpmf.com

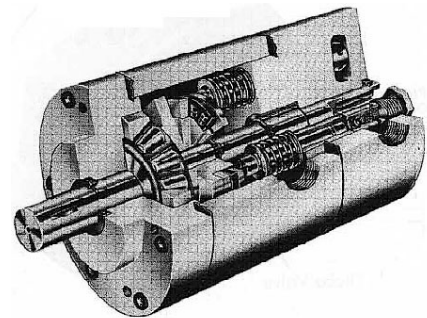
Phone: 320-564-9009
Fax: 320-564-9029
E-mail: sales@gfpmf.com

Granite Fluid Power manufactures the Rodgers Hydraulics line of high quality hydraulic pumps, valves, and cylinders as well as popular accessories. Granite Fluid Power has the capabilities to custom design complete systems to fit customers' needs.

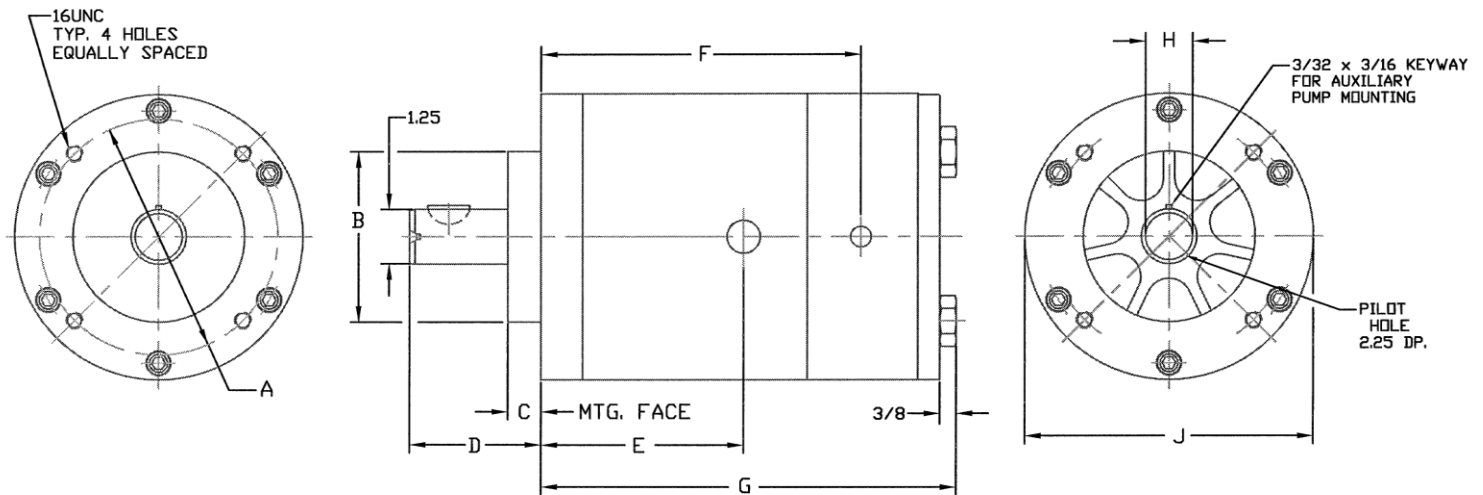


PF SERIES AXIAL PISTON PUMPS

Lifting The World



Model	GPM @ 1,200/ 1,800 RPM	Cont. PSI	Weight
PF120 -	1.1 / 1.8	10,000	74 lbs
PF300 -	2.8 / 4.7	10,000	115 lbs
PF500 -	4.7 / 7.4	6,000	115 lbs
1,800 RPM MAX			



Model	A	B	C	D	E	F	G	*H	J
PF120-10-P-0-S-11	5.375	3.873	0.750	3.000	4.563	7.875	9.375	N/A	6.500
PF120-10-P-1-S-11	5.375	3.873	0.750	3.000	4.563	7.875	9.375	0.750	6.500
PF300-10-P-0-S-11	5.500	4.248	0.875	3.125	5.375	9.375	10.968	N/A	7.750
PF300-10-P-4-S-11	5.500	4.248	0.875	3.125	5.375	9.375	10.968	0.750	7.750
PF300-10-P-5-S-11	5.500	4.248	0.875	3.125	5.375	9.375	10.968	1.000	7.750
PF500-6-P-0-S-11	5.500	4.248	0.875	3.125	5.375	9.375	10.968	N/A	7.750
PF500-6-P-4-S-11	5.500	4.248	0.875	3.125	5.375	9.375	10.968	0.750	7.750
PF500-6-P-5-S-11	5.500	4.248	0.875	3.125	5.375	9.375	10.968	1.000	7.750

* AVAILABLE FOR PUMPS WITH AUXILLARY PUMP SHAFT OPTION ONLY

SEE PUMP ADAPTER PAGE FOR AUXILLARY PUMP AND MOTOR ADAPTERS