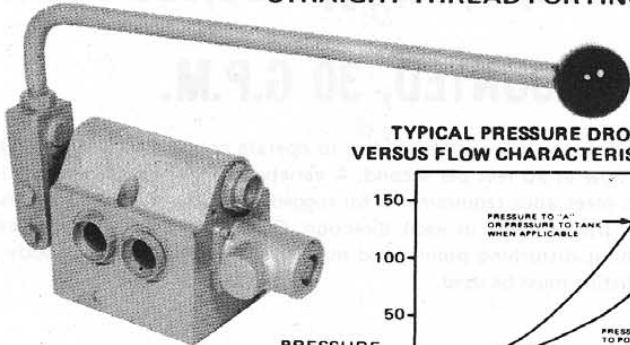




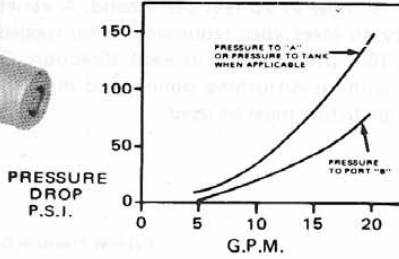
TASK-FORCE VALVES

THREADED BODY DESIGN "SPRING CENTERED"

STRAIGHT THREAD PORTING

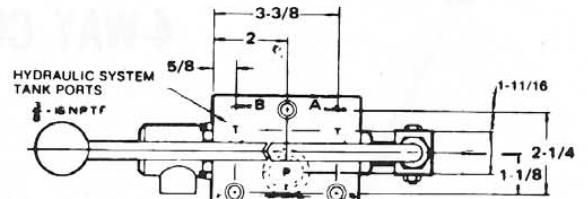


TYPICAL PRESSURE DROP VERSUS FLOW CHARACTERISTICS

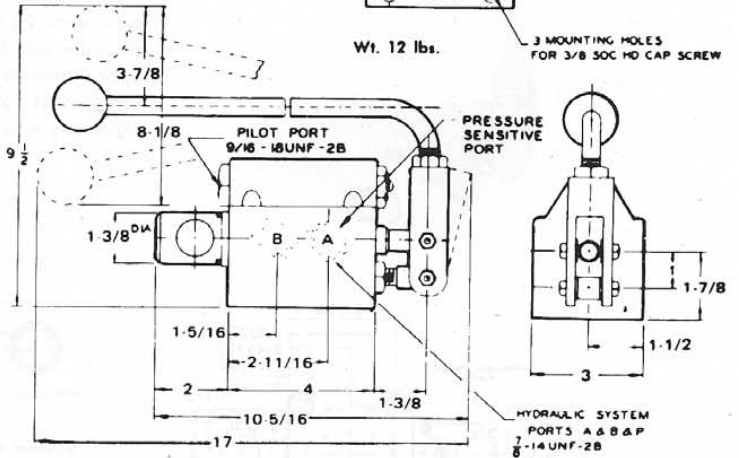


SEAL KIT 82074

MODEL	CENTER POSITION	POSITION A	POSITION B	WT.
D621S33311C-V	Open center — all ports open			12 lbs.
D621S33312C-V	Closed center - all ports closed			
D621S33313C-V	Port B closed — A open to pressure and tank	Pressure To To Tank	Pressure To To Tank	
D621S33314C-V	Port A closed — B open to pressure and tank	and Port B To Tank	and Port A To Tank	



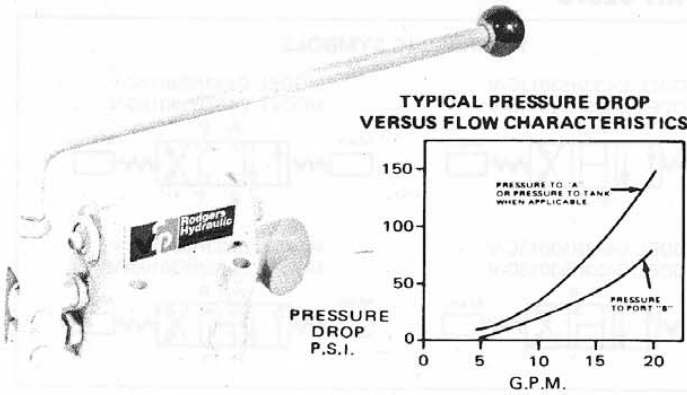
Wt. 12 lbs. 3 MOUNTING HOLES FOR 3/8 SOC HD CAP SCREW



Note: Both "T" Tank Ports must be connected to tank.

SUB-PLATE MOUNTED

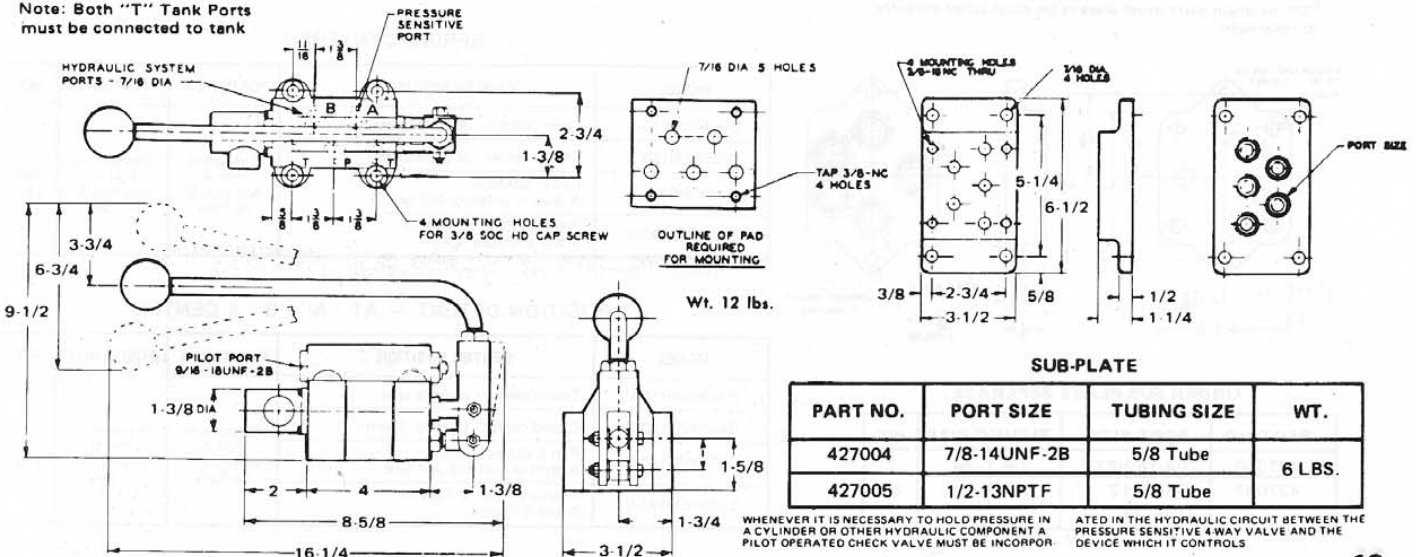
As a manifold-mounted valve, minimal plumbing allows the valve to be removed without disturbing internal piping.



MODEL	CENTER POSITION	POSITION A	POSITION B	WT.
D623H43311C-V	Open center — all ports open			12 lbs.
D623H43312C-V	Closed center - all ports closed			
D623H43313C-V	Port B closed — A open to pressure and tank	Pressure To and Port B to Tank	Pressure To and Port A to Tank	
D623H43314C-V	Port A closed — B open to pressure and tank	to Tank	to Tank	

SEAL KIT 82073

Note: Both "T" Tank Ports must be connected to tank



SUB-PLATE

PART NO.	PORT SIZE	TUBING SIZE	WT.
427004	7/8-14UNF-2B	5/8 Tube	6 LBS.
427005	1/2-13NPTF	5/8 Tube	

WHENEVER IT IS NECESSARY TO HOLD PRESSURE IN A CYLINDER OR OTHER HYDRAULIC COMPONENT A PILOT OPERATED CHECK VALVE MUST BE INCORPORATED IN THE HYDRAULIC CIRCUIT BETWEEN THE PRESSURE SENSITIVE 4-WAY VALVE AND THE DEVICE WHICH IT CONTROLS