

MANUAL FOR RODGERS MODEL 2HPE HAND PUMP

OPERATING INSTRUCTIONS FOR RODGERS 2HPE 2-SPEED HAND PUMP

Fill the pump with an oil recommended on the attached Hydraulic Specifications Sheet. The pump is filled through the fill plug located in the rear left hand corner of the pump cover. This plug also acts as a breather cap for the pump. When the pump is filled, place the 4-way valve in the center position (or open the globe valve if so equipped) and pump several full strokes of the pump handle. This should eliminate all the air in the pump circuit. Pass oil through a 200 mesh screen when filling or replenishing the oil in the reservoir.

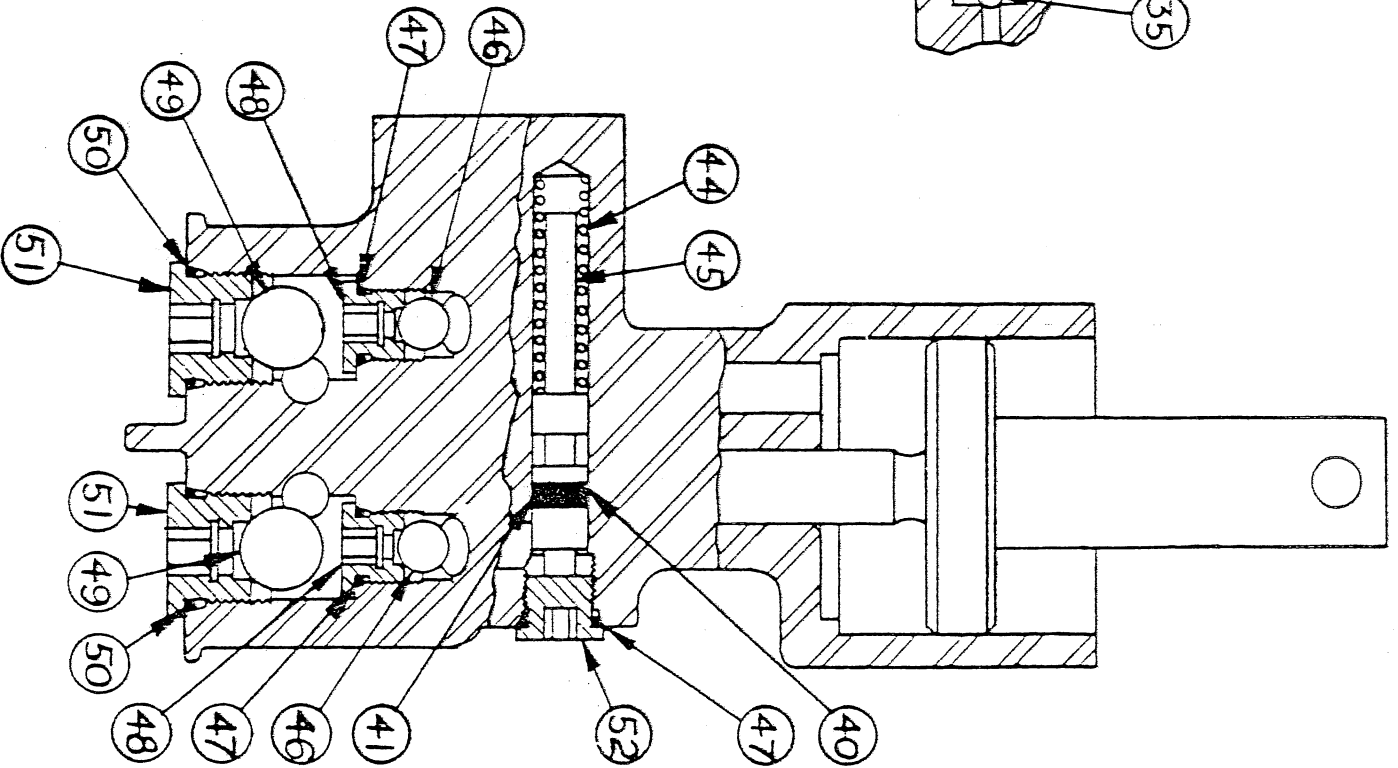
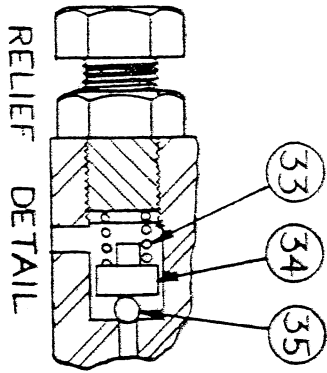
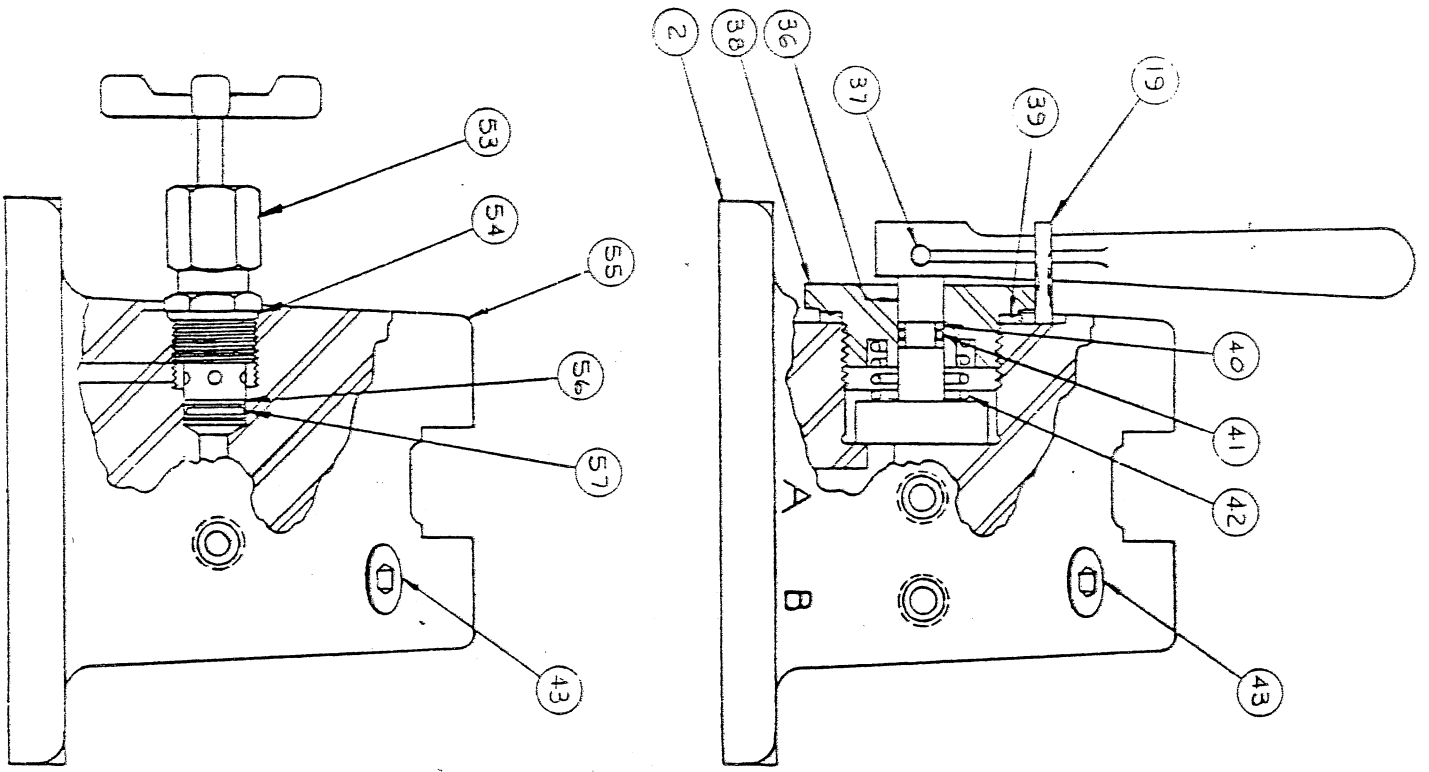
Model 2HPE Pumping Unit produces a maximum of 7.73 cubic inches of oil per stroke of handle in high speed. The maximum pressure developed in high speed is 300 PSI. When this pressure is reached, the pump automatically shifts over to high pressure. Output of the pump in high pressure is 0.294 cubic inches of oil per stroke. At this speed the pump unit has been set at the factory to release at this pressure, so as to prevent overloading of the pump unit. If pump is shipped with a cylinder, the pressure relief valve is set for the maximum allowable pressure of the cylinder. Also, if the user has specified a pressure between 1 and 10,000 PSI before shipment, the relief valve will be set at that pressure.

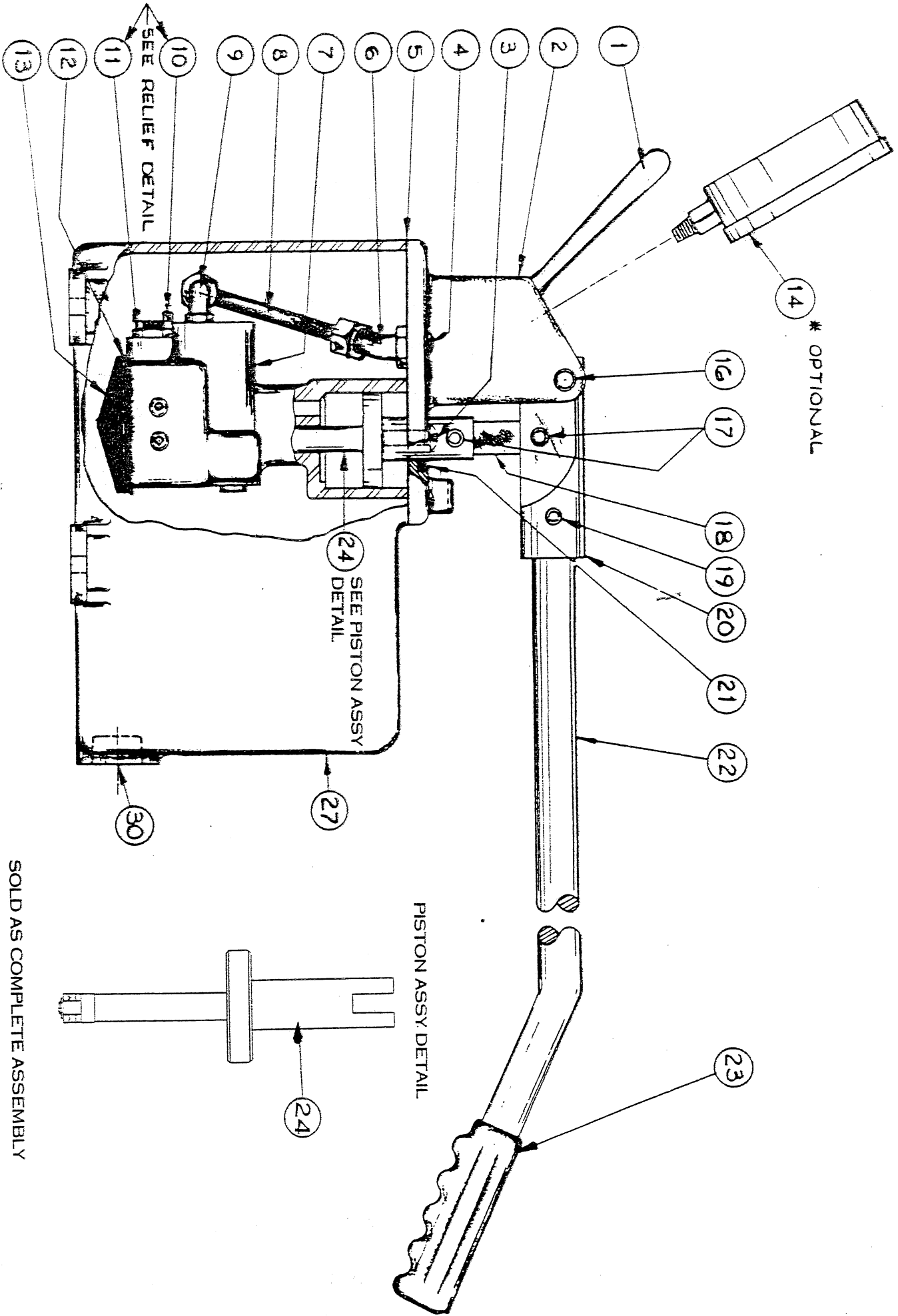
To operate the 4-way valve pump unit, place the 4-way valve handle so that it points to "A" on the cover. Oil will flow out of "A" port. "B" port will dump to tank. Point the handle to "B" on the cover and oil will flow out "B" port; "A" port dumps to tank.

To operate the needle valve model pump unit, close the needle valve. This allows oil to flow out the outlet port and build up pressure to the maximum setting. To release the pressure, open the needle valve. The pressure will then be released and oil will be allowed to flow back to the reservoir.

Granite Fluid Power

PO BOX 215 * Granite Falls, MN 56241 * Phone (320)564-9009 * Fax (320)564-9029 * www.gfpmf.com





SOLD AS COMPLETE ASSEMBLY

PARTS LIST

Item	Qty	Part #	Description	Item	Qty	Part #	Description
1	1	428015	Handle	30	1	185180	Pipe Plug
2	1	430006	Cover (4-Way Valve Model)	31	-		
3	2	100539	Cap Screw 3/8NF x 1	32	-		
4	4	100472	Cap Screw 5/16NC x 1	33	1	182041	Spring
5	1	198021	Gasket	34	1	424009	Seat
6	1	184073	45° Elbow	35	1	183007	Ball
7	1	430094	Cylinder Body	36	1	426001	Port
8	1	084130	Tubing	37	1	181046	Roll Pin
9	1	184039	Elbow 6C5BX-S	38	1	422016	Cap
10	1	100490	Bolt 5/8NF x 1	39	1	198006	Gasket
11	1	108019	Jam Nut 5/8NF	40	4	193001	Back-Up Washer
12	1	190052	O-Ring	41	2	190018	O-Ring
13	1	430090	Filter	42	1	182012	Spring
14	All	Gauges	(4" Face 1/2"NPT Connection)	43	1	185177	1/4NPTF Pipe Plug
	1	141001	0-15,000 PSI	44	1	182040	Spring
	1	095001	0-25 Tons on 3" Cylinder	45	1	421008	Spool
	1	095002	0-30 Tons on 3" Cylinder	46	2	183006	Ball
	1	095003	0-50 Tons on 4" Cylinder	47	3	190068	O-Ring
	1	095004	0-60 Tons on 4" Cylinder	48	2	430004	Outlet Check
	1	095005	0-75 Tons on 5" Cylinder	49	2	183008	Ball
	1	095006	0-80 Tons on 5" Cylinder	50	2	190002	O-Ring
	1	095007	0-100 Tons on 5" Cylinder	51	2	430005	Inlet Check
	1	095008	0-100 tons on 6" Cylinder	52	1	184062	Plug 6HP5ON
	1	095009	0-150 Tons on 6.5" Cylinder	53	1	129026	Needle Valve Cartridge (includes O-Ring)
	1	095010	0-200 Tons on 8" Cylinder				
	1	095011	0-300 Tons on 10" Cylinder	54	1	190014	O-Ring
	1	095012	0-400 Tons on 12" Cylinder	55	1	430108	Cover (Needle Valve Model)
	1	095013	0-600 Tons on 14" Cylinder	56	1	193049	Back-Up Washer
15	-			57	1	190110	O-Ring
16	1	181036	Roll Pin				
17	2	181034	Roll Pin				
18	1	430093	Rod Connector				
19	3	181035	Roll Pin				
20	1	430092	Socket				
21	1	196282	Seal				
22	1	430091	Handle				
23	1	149002	Hande Grip				
24	1	084129	Piston Assembly				
25	-						
26	-						
27	1	430079	6 Qt Tank				
	1	430080	12 Qt Tank				
	1	084140	18 Qt Tank				
	1	084139	30 Qt Tank				
28	-						
29	-						

Granite Fluid Power

PO BOX 215 * Granite Falls, MN 56241 * Phone (320)564-9009 * Fax (320)564-9029 * www.gfpmf.com